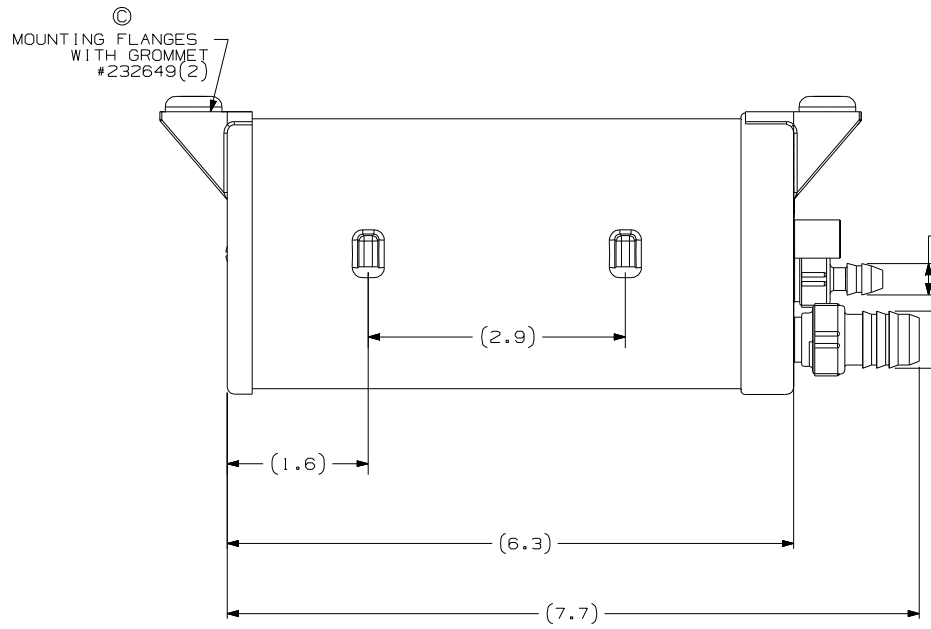
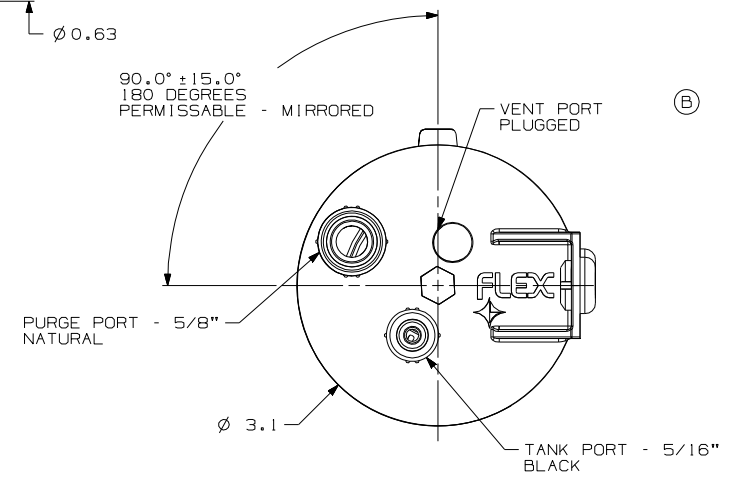
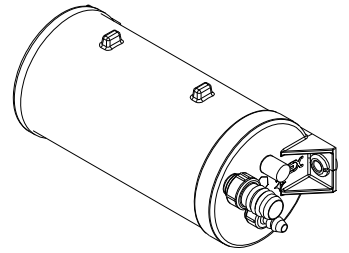


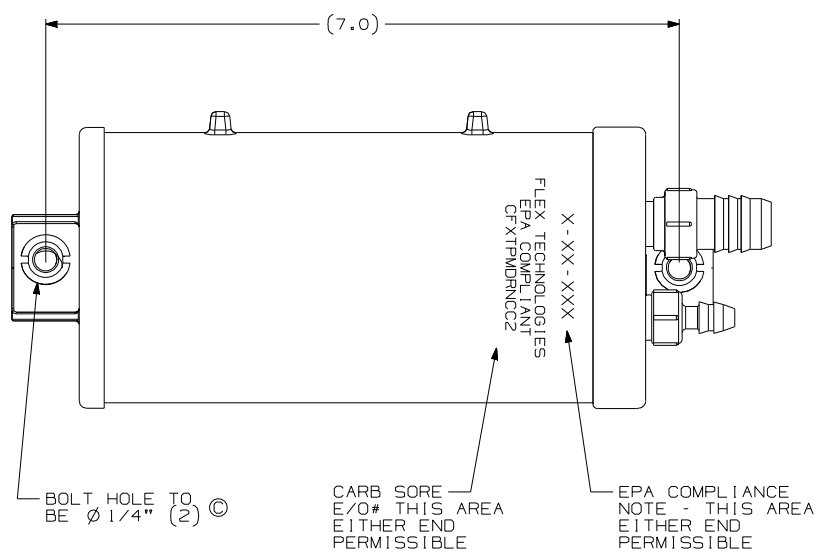
ZONE	DWG STATUS					REVISION HISTORY	AUTH	DR	CK	ENG
	DATE	STG	REL	CHG	PDI					
	21DE11	R	001	A		INITIAL ISSUE	JFD	SF		
	09AP12	R	002	B		REVISED NOTE LOCATION AND ADDED ORIENTATION NOTES	MS	SF		
	12AP13	R	003	C		MODIFIED NOTES; ADDED GROMMET TO FLANGE	JFD	RES		



ISO VIEW HALF SCALE



DRAWING IS TO BE USED FOR PRODUCTION REFERENCE DUE TO SPECIFIC BARB CONFIGURATION AND NUB LOCATIONS.



FLEX TECHNOLOGIES

 CHANGE RESTRICTED NO MANUAL CHANGES DO NOT SCALE	REFERENCE MATERIAL: POLYPROPYLENE 20%GF OR NYLON 6 13%GF ONE PLACE: ±0.05 TWO PLACE: ±0.025 ANGLES ±1.0° (*) INDICATES REF DIM SCALE: 1 - 1	DRAFTER SCOTT FRYE APVD1 APVD2 APVD3 APVD4 APVD5	DATE 21DE11	
	ENGLISH DIMENSIONS SHOWN IN INCHES UNLESS OTHERWISE SPECIFIED			
	DRAWING NAME 400cc MARINE GRADE CANISTER			
	SIZE A2	DRAWING NUMBER 232544	DWG STATUS STG REL PDI R 003	SHEET NUMBER 1 OF 1