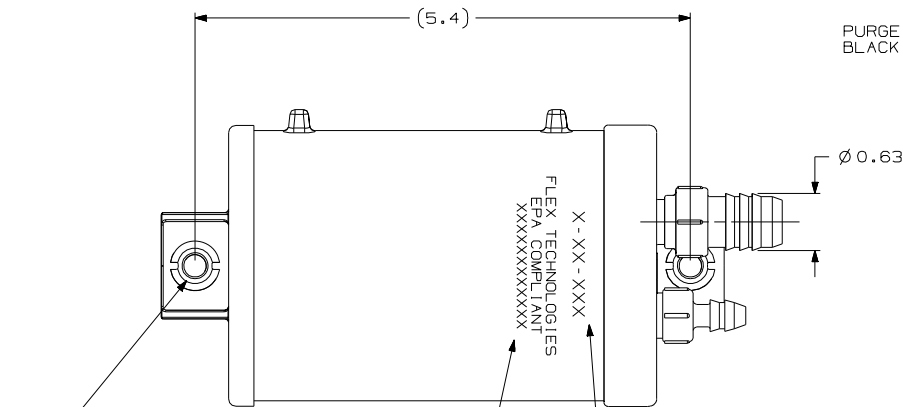
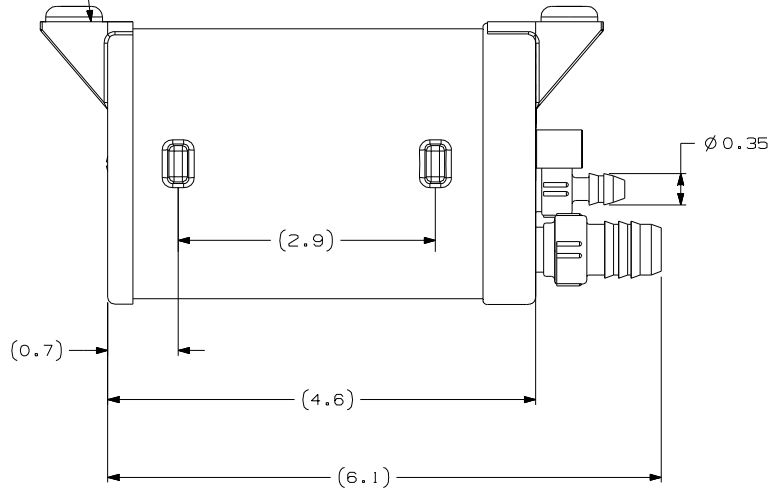


ZONE	DWG STATUS					REVISION HISTORY	AUTH	DR	CK	ENG
	DATE	STG	REL	CHG	PD1					
	18JA13	R	001	A		INITIAL ISSUE	JFD	SF		
	12AP13	R	002	B		MODIFIED NOTES; ADDED GROMMET	JFD	SF		

Ⓢ MOUNTING FLANGES WITH GROMMET #232649 (2)



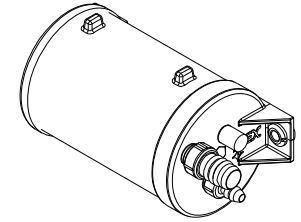
Ⓢ BOLT HOLE SIZE TO BE Ø 1/4\" (2)

CARB SORE E/O# THIS AREA EITHER END PERMISSIBLE

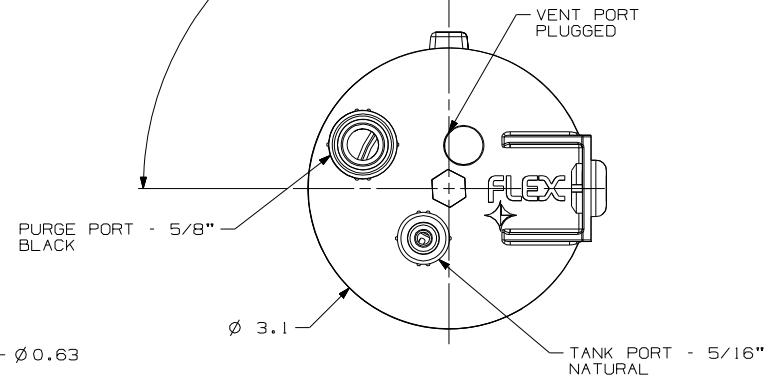
EPA COMPLIANCE NOTE - THIS AREA EITHER END PERMISSIBLE

* CARB AND SORE NOTES TO BE VISIBLE ONCE UNIT IS MOUNTED *

ISO VIEW HALF SCALE




90.0° ± 15.0°
180 DEGREES PERMISSIBLE - MIRRORED



DRAWING IS TO BE USED FOR PRODUCTION REFERENCE DUE TO SPECIFIC BARB CONFIGURATION AND NUB LOCATIONS.

FLEX TECHNOLOGIES

			DATE	
 CHANGE RESTRICTED NO MANUAL CHANGES DO NOT SCALE	REFERENCE	DRAFTER	18JA13	
	MATERIAL: POLYPROPYLENE 20%GF	SCOTT FRYE		
	ONE PLACE: ±0.05 TWO PLACE: ±0.025 ANGLES: 1.0° (*) INDICATES REF DIM SCALE: 1 - 1	APVD1		
		APVD2		
		APVD3		
ENGLISH	DRAWING NAME	APVD4		
DIMENSIONS SHOWN IN INCHES UNLESS OTHERWISE SPECIFIED	300cc MARINE GRADE CANISTER	APVD5		
SIZE	DRAWING NUMBER	DWG STATUS		SHEET NUMBER
A2	232650	STG	REL	PD1
		R	002	
				1 OF 1