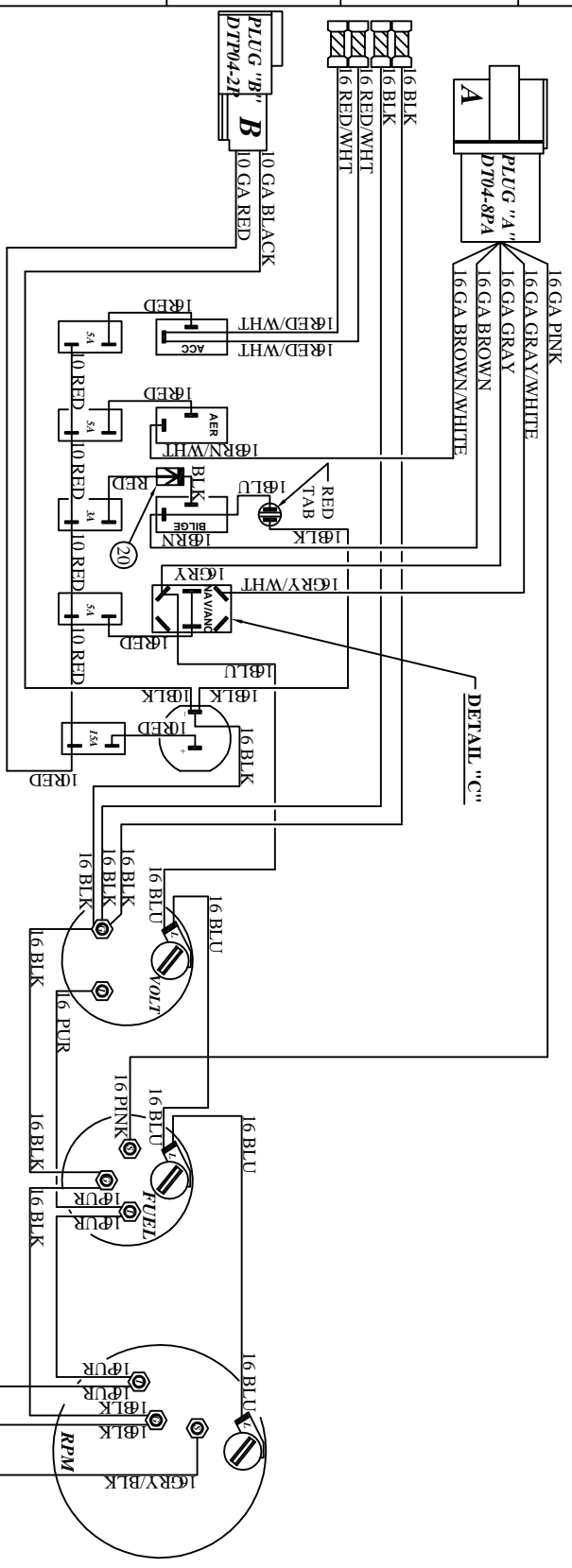


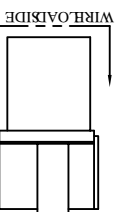
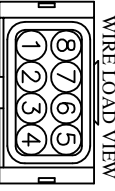
THIS DOCUMENT IS THE PROPERTY OF PHAZE II PRODUCTS, INC. ANY INFORMATION, SPECS OR DESIGNS MAY NOT BE COPIED OR USED IN ANY WAY WITHOUT THE WRITTEN PERMISSION OF PHAZE II PRODUCTS AND IT MUST BE RETURNED TO PHAZE II PRODUCTS ANY UNAUTHORIZED USE OF THIS DOCUMENT WILL RESULT IN LEGAL ACTION AND PENALTY.

DO NOT PRODUCE PRODUCTION PARTS FROM DRAWINGS THAT ARE MARKED "PROTOTYPE"

REV	DESCRIPTION	DATE	APPROVED
00	PROTOTYPE RELEASE	01/23/08	
0	PRODUCTION RELEASE	03/10/08	

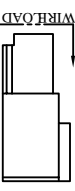


PLUG "A", 8 WAY, 14/16 GA, DEUTSCH RECEPTOR CONNECTOR DETAIL
W/PINS DT04-08PA TO HARNESS 65-0804, PLUG "A"



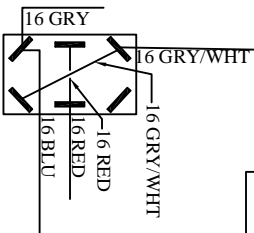
1. 16 GA GRAY (NAV)
2. 16 GA GRAY (NAV)
3. 16 GA BROWN (BLGE)
4. 16 GA BROWN (AER)
5. 16 GA PINK (FUEL)
6. HOLE PLUG 114017
7. HOLE PLUG 114017
8. HOLE PLUG 114017

PLUG "B", 2 WAY, 10/12 GA DEUTSCH RECEPTOR CONNECTOR DETAIL
W/PINS DTP04-2P TO HARNESS 65-0804, PLUG "B"

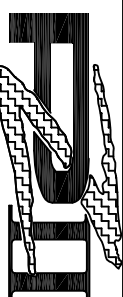


1. 10 GA RED
2. 10 GA BLACK

DETAIL "C"
 NAV/ANC LTS



14/16 MLX .156 BULLETT W/SEAL
 16 PUR
 16 BLK
 14/16 MLX .156 RECEPT W/SEAL
 16 GRY/BLK
 14/16 MLX .156 BULLETT W/SEAL



PHAZE II PRODUCTS
 WWW.PHAZE2PRODUCTS.COM

DRN BY: LUCAS W.
 NAME: SUNDANCE BOATS

CHK BY: FB SERIES YAMAHA INS/SWT
 FB SERIES YAMAHA INS/SWT

DATE DRAWN: 03-10-2008
 SCALE: FULL

DATE DRAWN: 03-10-2008
 SCALE: FULL

DATE DRAWN: 03-10-2008
 SCALE: FULL

8 7 6 5 4 3 2 1