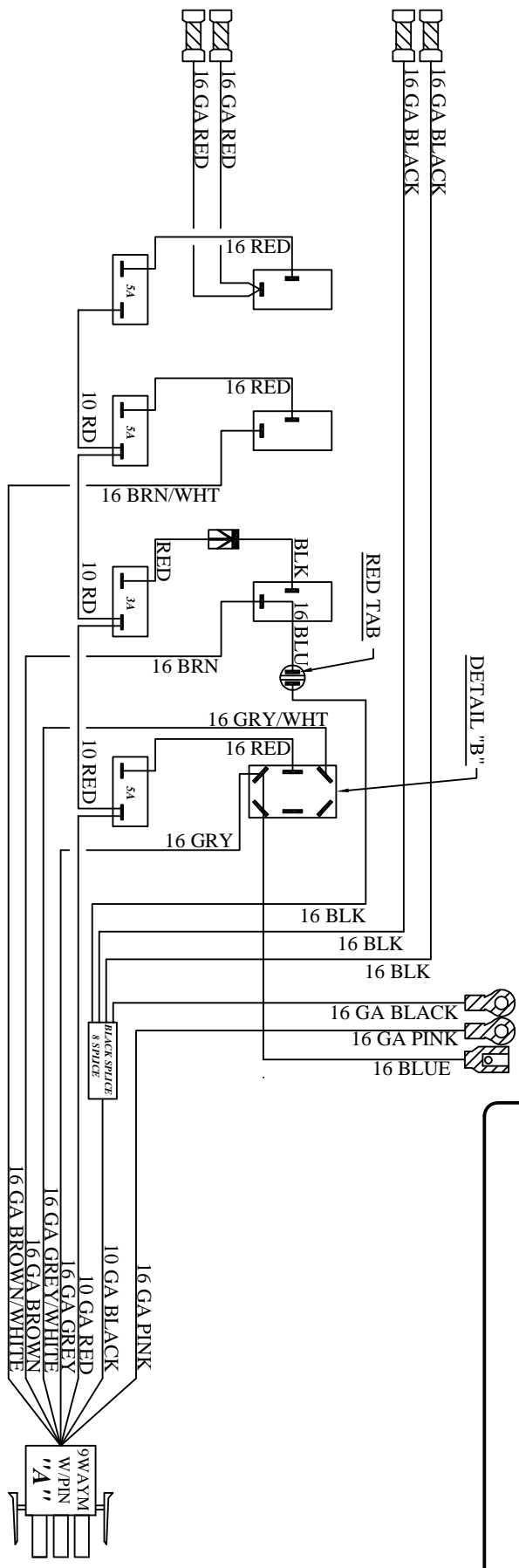


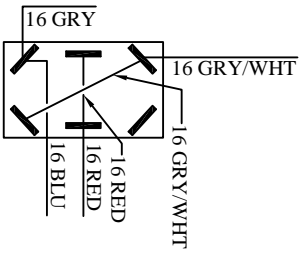
THIS DOCUMENT IS THE PROPERTY OF PHAZE II PRODUCTS, INC. ANY INFORMATION, SPECS OR DESIGNS MAY NOT BE COPIED OR USED IN ANY WAY WITHOUT THE WRITTEN PERMISSION OF PHAZE II PRODUCTS AND IT MUST BE RETURNED TO PHAZE II PRODUCTS. UNAUTHORIZED USE OF THIS DOCUMENT WILL RESULT IN LEGAL ACTION AND LITIGATION.

REV	DESCRIPTION	DATE	APPROVED
00	PROTOTYPE RELEASE	1/23/08	
0	PRODUCTION RELEASE	4/22/08	4/22/08

**APPROVED  
RELEASED FOR  
PRODUCTION USE**



**DETAIL "B"**  
NAV/ANCLTS



**PHAZE II PRODUCTS**  
DRN BY: RICHARD B.  
CHK BY:  
SHEET: 2 OF 2  
DATE DRAWN: 01-23-2008

**SUNDANCE BOATS**  
K-16-CC  
GAUGE WIRING DIAGRAM  
SCALE: FULL  
DWG NO.: 65-0806  
REVISION: 0

118 PENNSYLVANIA  
 VIRGINIA BEACH, VA 23462  
 PHONE: 757-353-3901  
 FAX: 757-353-3903  
 WWW.PHAZE2PRODUCTS.COM

